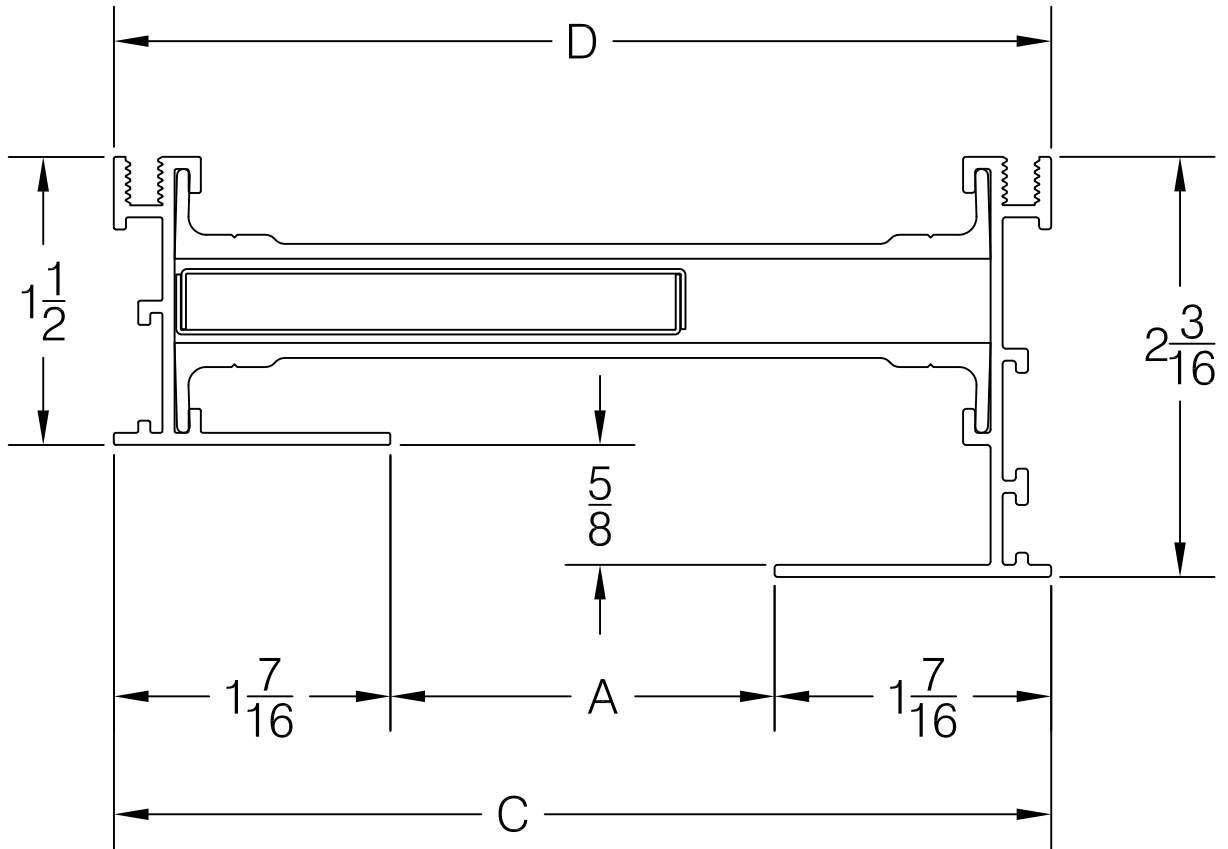




AIR FACTORS

6226-A INDUSTRIAL WAY
LIVERMORE, CA 94551

PH. # 925-579-0040
FAX # 925-579-0044



MODEL	A	C	D
B-10-STUB-F	1	3-7/8	3-7/8
B-15-STUB-F	1-1/2	4-3/8	4-3/8
B-20-STUB-F	2	4-7/8	4-7/8

PROJECT:

TITLE:
STUB-FLUSH FLANGE

DATE:

DRAWN:
Robert Gibbs

SCALE:
NTS

DWG.#:
2-5-7B