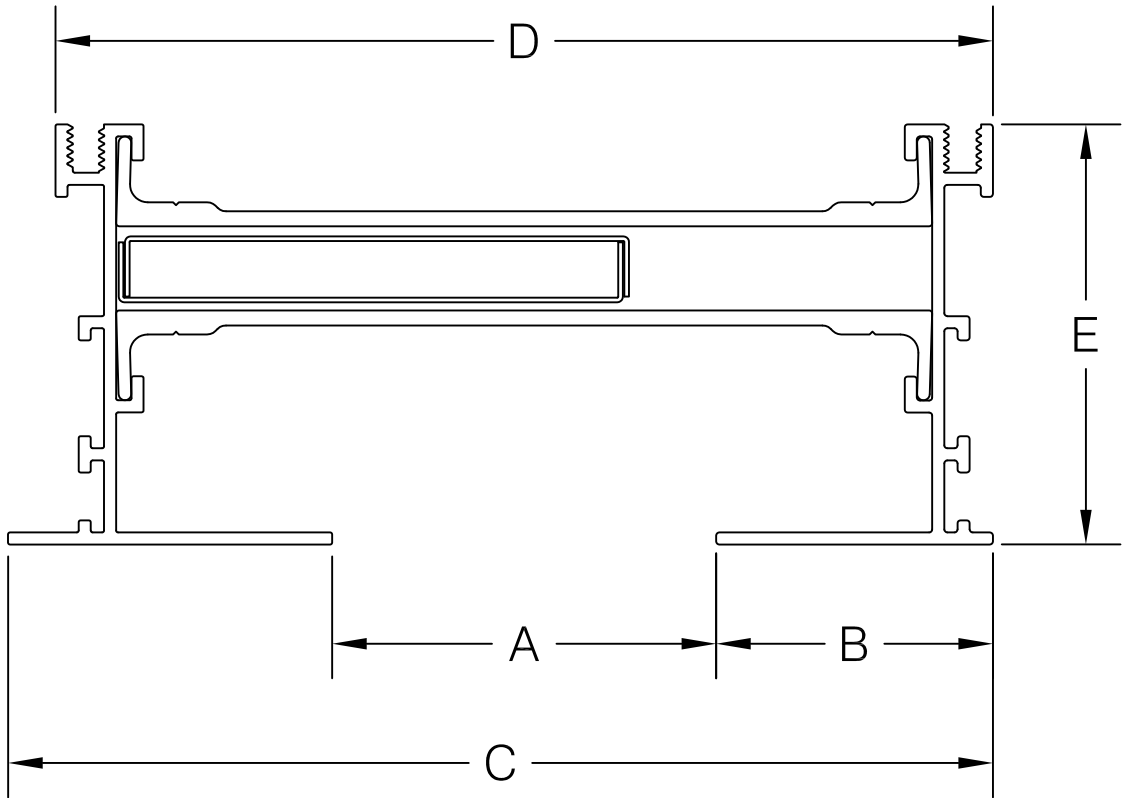




AIR FACTORS

4771 ARROYO VISTA, SUITE D
LIVERMORE, CA 94551

PH. # 925-579-0040
FAX # 925-579-0044



MODEL	A	B	C	D	E
B-10-EF	1	15/16	3-1/8	2-7/8	1-11/16
B-15-EF	1-1/2	1-3/16	4-1/8	3-7/8	1-15/16
B-20-EF	2	1-7/16	5-1/8	4-7/8	2-3/16
B-25-EF	2-1/2	2	6-3/4	6-1/2	2-3/4
B-30-EF	3	2	7-1/4	7	2-3/4

PROJECT:

TITLE:

EXPOSED-FLUSH FLANGE

DATE:

DRAWN:

Robert Gibbs

SCALE:

NTS

DWG. #:

2-5-8A