

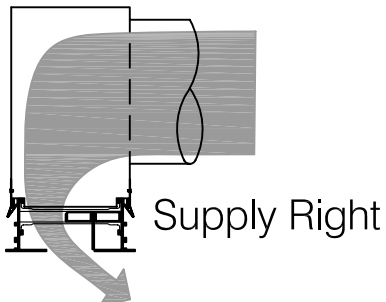
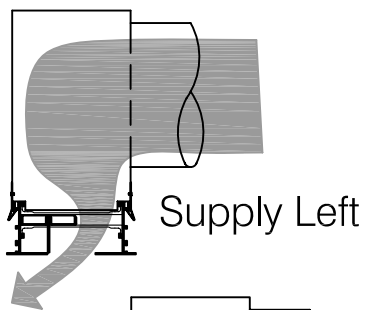
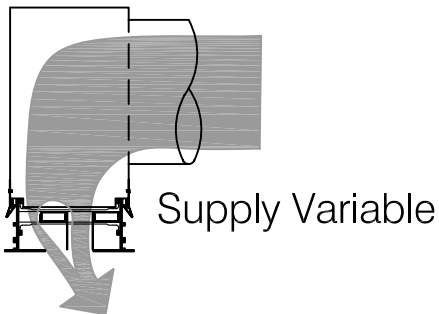
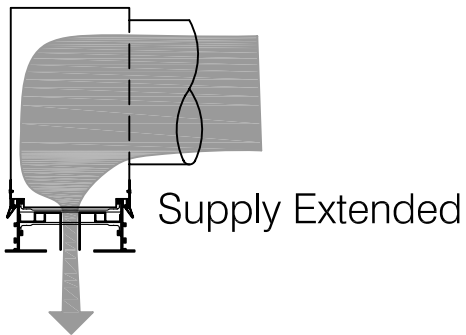
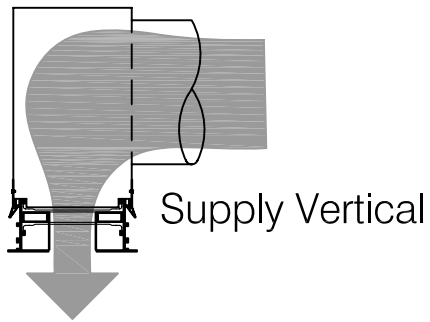


AIR FACTORS

JET PAIR

The Air Factors Jet Pair delivers a highly focused jet flow of conditioned air. Air pattern direction, length and size are all easily adjustable by repositioning the Jet Pair components.

Remarkably versatile for high ceilings or side wall applications, only Air Factors Jet Pair can achieve an extensive variety of air patterns.



TYPICAL ASSEMBLY

