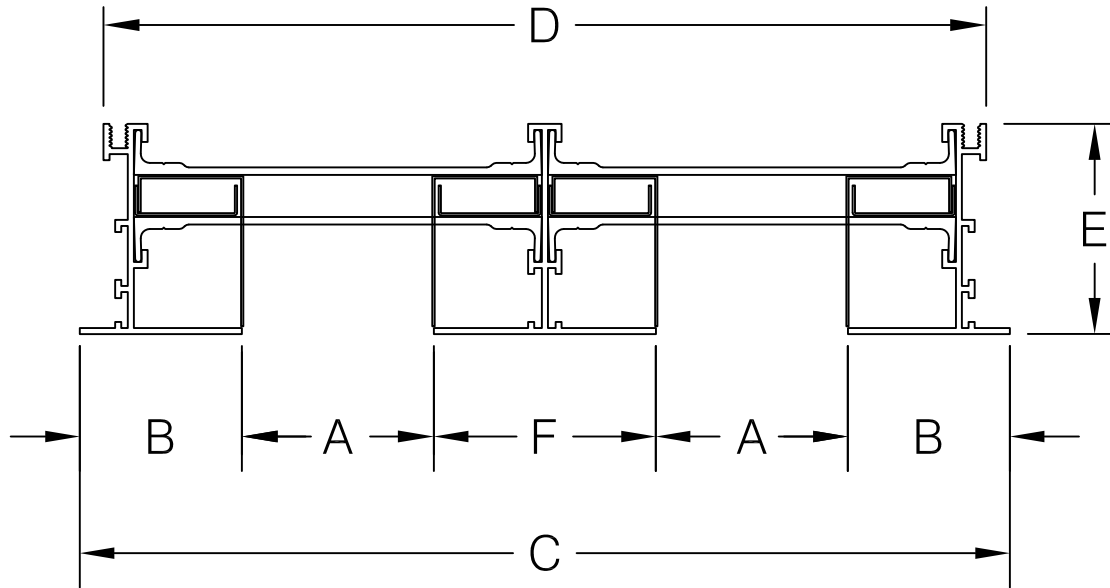




AIR FACTORS

6226-A INDUSTRIAL WAY
LIVERMORE, CA 94551

PH. # 925-579-0040
FAX # 925-579-0044



MODEL	A	B	C	D	E	F
B-10(2)-EE	1	1-3/16	5-11/16	5-3/16	1-11/16	1-5/16
B-15(2)-EE	1-1/2	1-7/16	7-11/16	7-3/16	1-15/16	1-13/16
B-20(2)-EE	2	1-11/16	9-11/16	9-3/16	2-3/16	2-5/16
B-25(2)-EE	2-1/2	2-1/4	12-29/32	12-13/32	2-3/4	3-13/32
B-30(2)-EE	3	2-1/4	13-29/32	13-13/32	2-3/4	3-13/32

PROJECT:

TITLE:

JET PAIR EXPOSED FLANGE

DATE:

DRAWN:

Robert Gibbs

SCALE:

NTS

DWG. #:

3-D-1