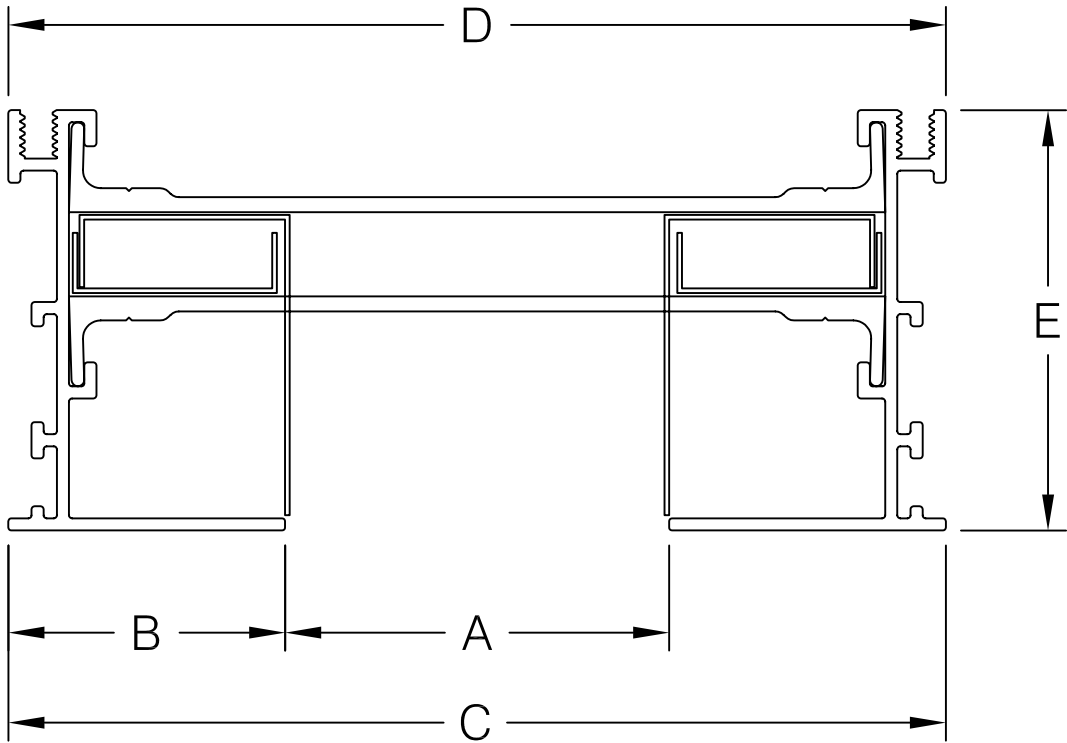




# AIR FACTORS

6226-A INDUSTRIAL WAY  
LIVERMORE, CA 94551

PH. # 925-579-0040  
FAX # 925-579-0044



MODEL	A	B	C	D	E
B-10-FF	1	15/16	2-7/8	2-7/8	1-11/16
B-15-FF	1-1/2	1-3/16	3-7/8	3-7/8	1-15/16
B-20-FF	2	1-7/16	4-7/8	4-7/8	2-3/16
B-25-FF	2-1/2	2	6-1/2	6-1/2	2-3/4
B-30-FF	3	2	7	7	2-3/4
B-40-FF	4	2-1/2	9	9	3-1/4

PROJECT:

TITLE: JET PAIR FLUSH FLANGE

DATE:

DRAWN BY:  
Bob Gibbs

SCALE:  
NTS

DWG.#:  
3-S-4