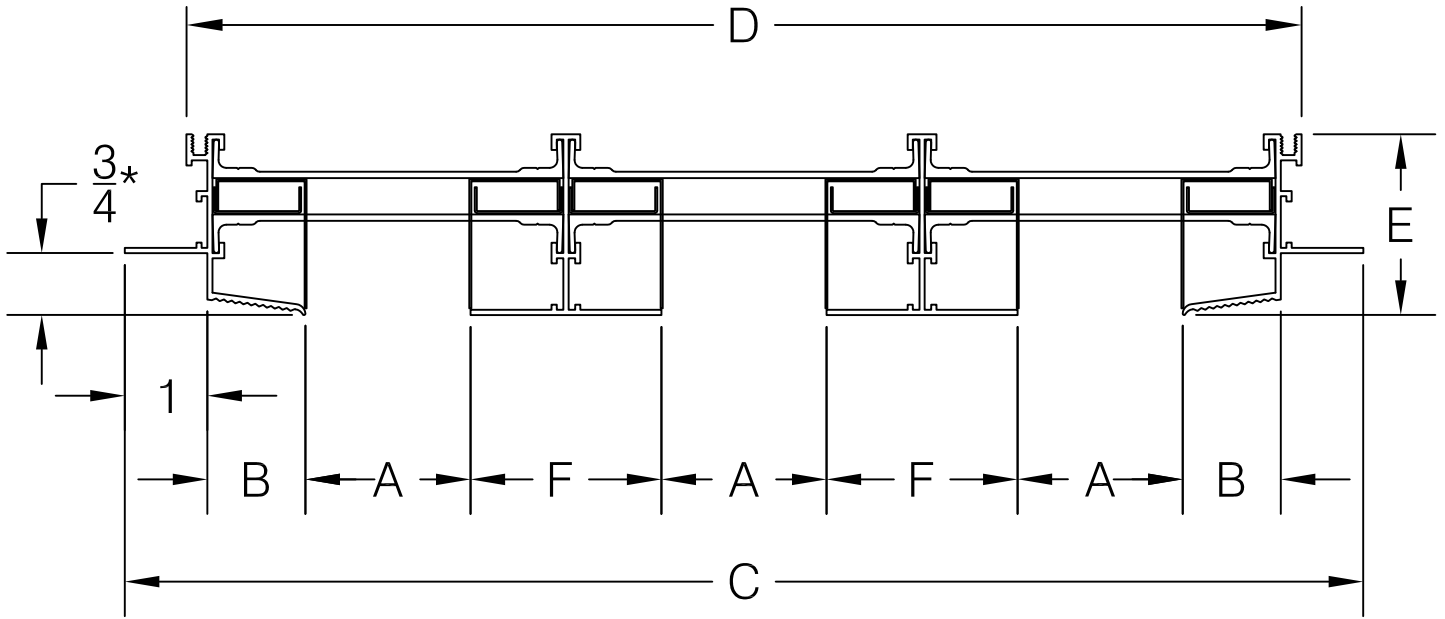




AIR FACTORS

6226-A INDUSTRIAL WAY
LIVERMORE, CA 94551

PH. # 925-579-0040
FAX # 925-579-0044



| MODEL | A | B | C | D | E | F |
|--------------|-------|---------|----------|----------|---------|---------|
| B-10(3)-HFHF | 1 | 1-3/16 | 9 | 7-1/2 | 1-11/16 | 1-5/16 |
| B-15(3)-HFHF | 1-1/2 | 1-7/16 | 12 | 10-1/2 | 1-15/16 | 1-13/16 |
| B-20(3)-HFHF | 2 | 1-11/16 | 15 | 13-1/2 | 2-3/16 | 2-5/16 |
| B-25(3)-HFHF | 2-1/2 | 2-1/4 | 19-13/16 | 18-5/16 | 2-3/4 | 3-13/32 |
| B-30(3)-HFHF | 3 | 2-1/4 | 21-5/16 | 19-13/16 | 2-3/4 | 3-13/32 |

*Recommended for 5/8" Drywall

PROJECT:

TITLE:

JET PAIR HIDDEN FLANGE

DATE:

DRAWN:

Robert Gibbs

SCALE:

NTS

DWG. #:

3-T-3B