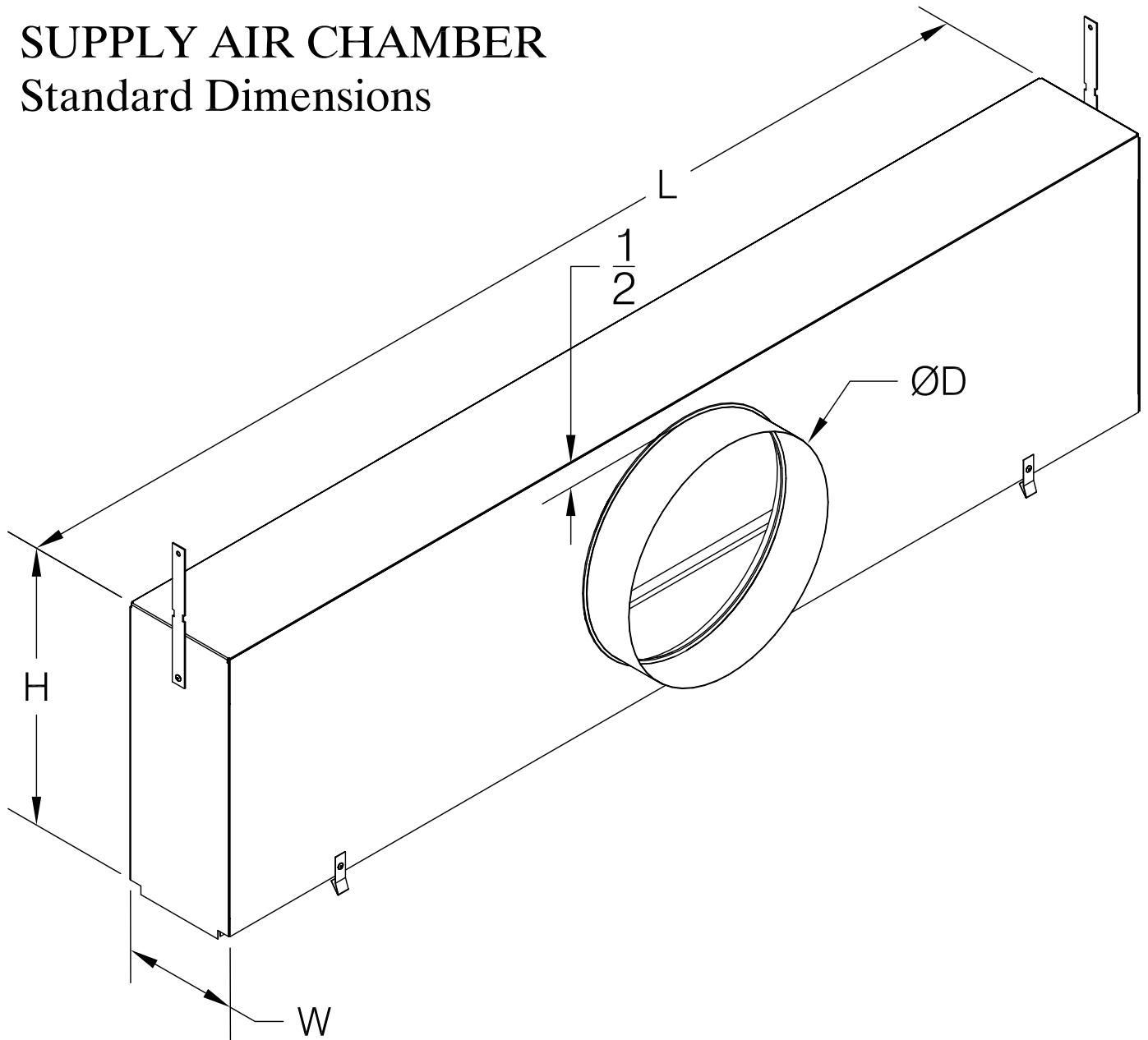


# AIR FACTORS

6226-A INDUSTRIAL WAY  
LIVERMORE, CA 94551

PH. # 925-579-0040  
FAX # 925-579-0044

## SUPPLY AIR CHAMBER Standard Dimensions



| Slot Width | Model   | Dim "W" | Nominal Length | Dim "L" | Collar "D" | Dim "H"  |
|------------|---------|---------|----------------|---------|------------|----------|
| 1          | SAC-10- | 2 7/8   | 24"-           | 21-9/16 | 6" Ø       | 8 15/16  |
| 1 1/2      | SAC-15- | 3-7/8   | 36"-           | 33-9/16 | 8" Ø       | 9 15/16  |
| 2          | SAC-20- | 4-7/8   | 48"-           | 45-9/16 | 10" Ø      | 11 15/16 |
| 2 1/2      | SAC-25- | 6-1/2   | 60"-           | 57-9/16 | 12" Ø      | 13 15/16 |
| 3          | SAC-30- | 7       | 72"-           | 69-9/16 | 14" Ø      | 15 15/16 |