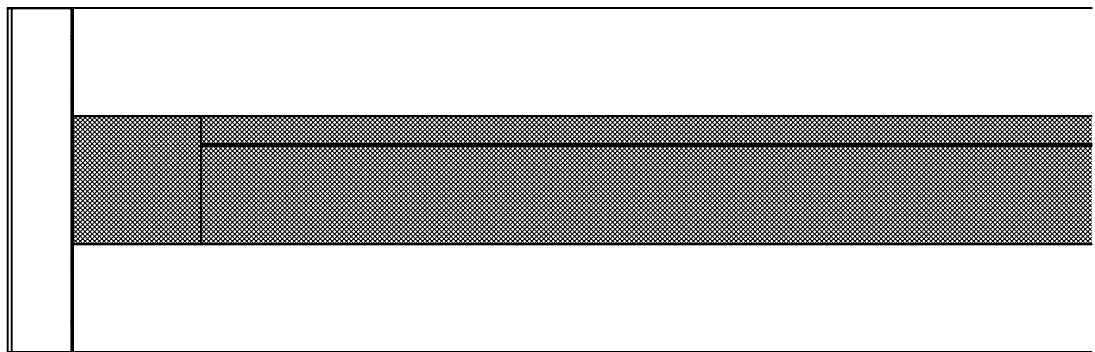
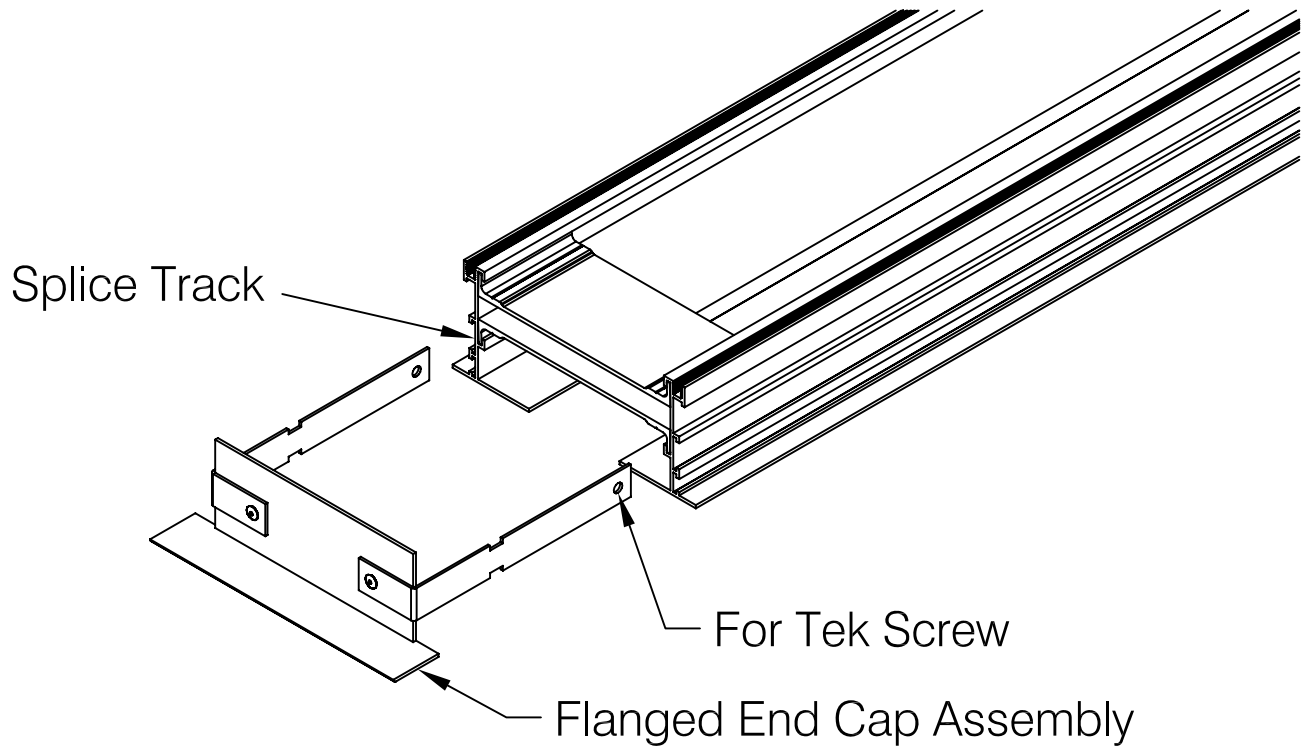




AIR FACTORS

6226-A INDUSTRIAL WAY
LIVERMORE, CA 94551

PH. # 925-579-0040
FAX # 925-579-0044



Face View

PROJECT:

TITLE: Flanged End Caps

DATE:

DRAWN BY:
Robert Gibbs

SCALE:
NTS

DWG.#:
6-1A