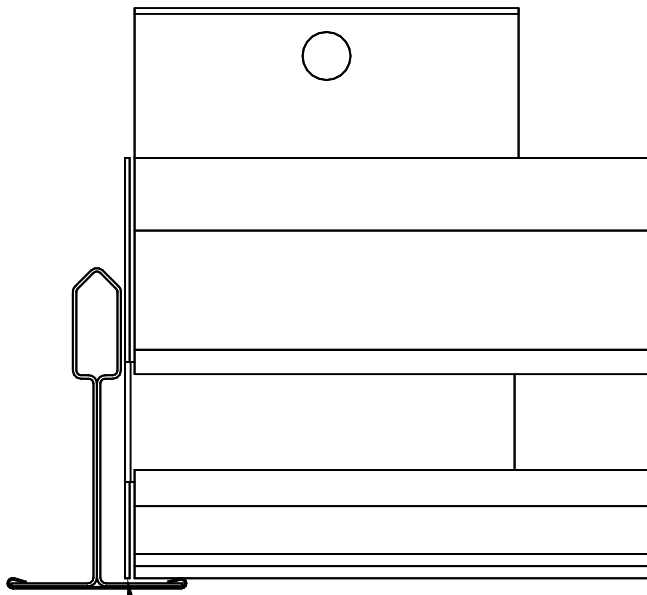




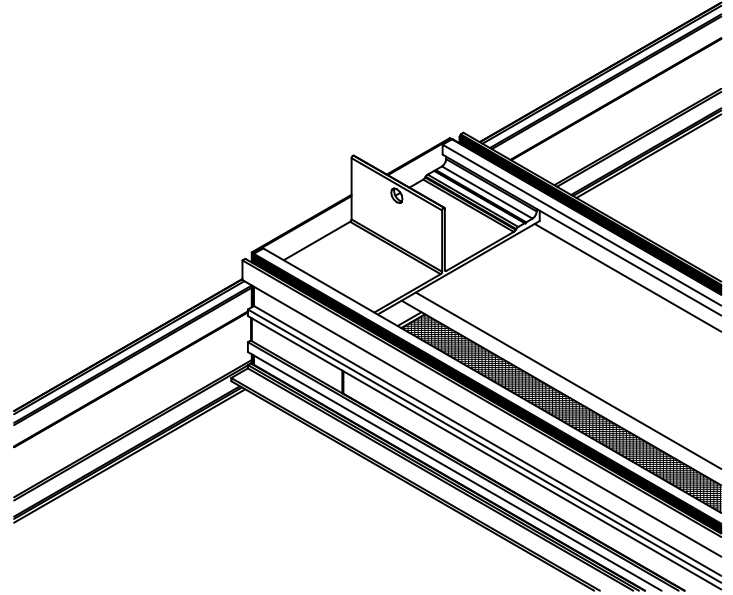
AIR FACTORS

4771 ARROYO VISTA, SUITE D
LIVERMORE, CA 94551

PH. # 925-579-0040
FAX # 925-579-0044



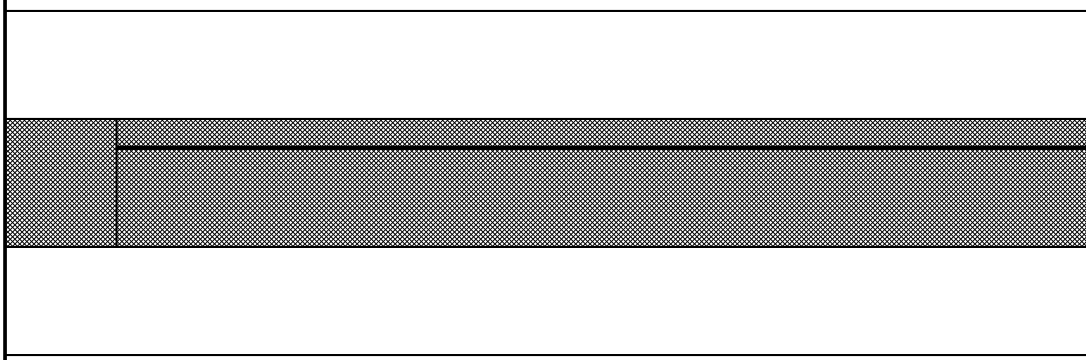
Side View



Isometric View

Flat End Cap

$\frac{15}{16}$ Ceiling Grid



Face View

PROJECT:

TITLE:

FLAT END CAPS

DATE:

DRAWN:

Robert Gibbs

SCALE:

NTS

DWG. #:

6-2B