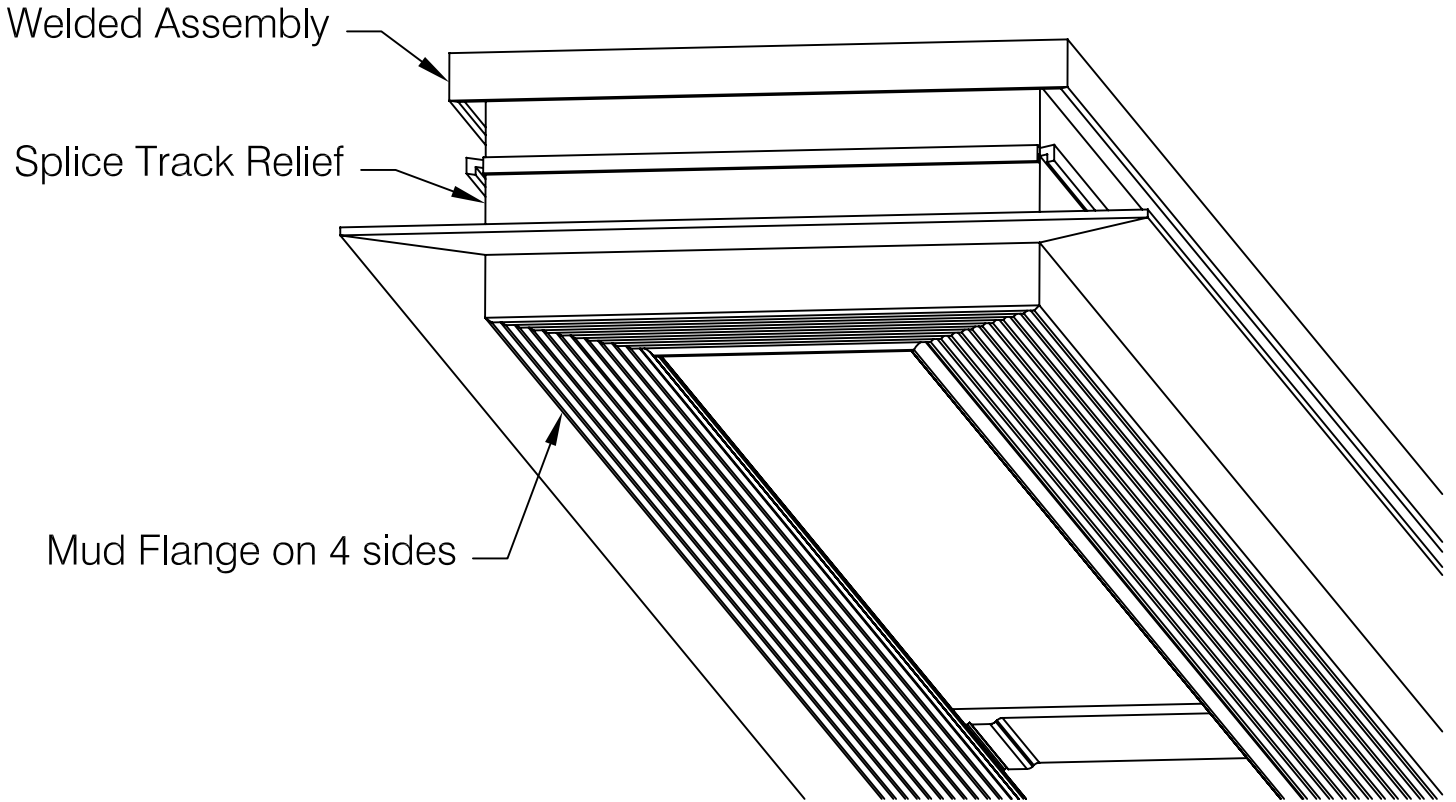




AIR FACTORS

6226-A INDUSTRIAL WAY
LIVERMORE, CA 94551

PH. # 925-579-0040
FAX # 925-579-0044



Face View

PROJECT:

TITLE:

Hidden Flange Mitered Ends

DATE:

DRAWN:

Robert Gibbs

SCALE:

NTS

DWG. #:

6-3B