

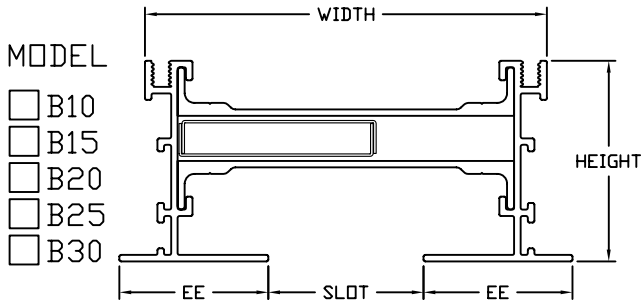


AIR FACTORS

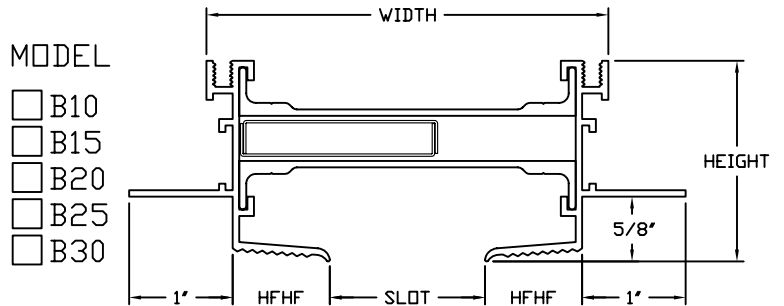
6226-A INDUSTRIAL WAY
LIVERMORE, CA 94551

PH. # 925-579-0040
FAX # 925-579-0044

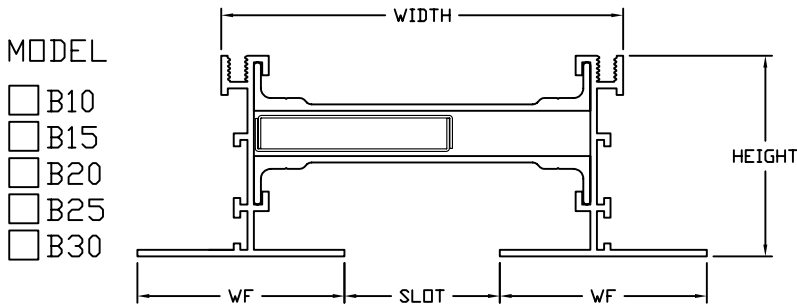
SUBMITTAL SHEET FOR LINEAR AIR BAR®



BORDER TYPE EE

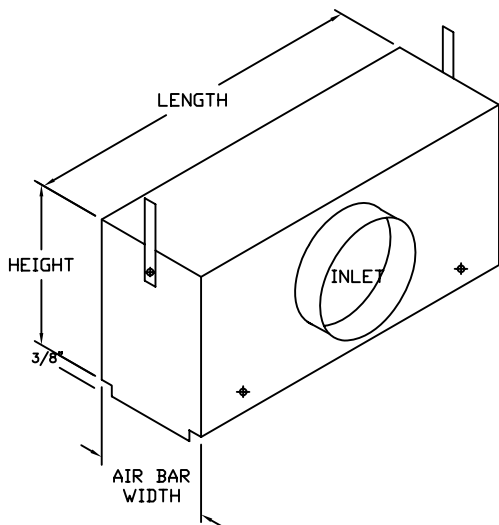


BORDER TYPE HFHF



BORDER TYPE WF

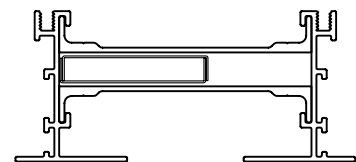
MODEL	SLOT	EE	HFHF	WF	WIDTH	HEIGHT
B10	1	1-3/16	11/16	1-1/2	2-7/8	1-11/16
B15	1-1/2	1-7/16	15/16	2	3-7/8	1-15/16
B20	2	1-11/16	1-3/16	2	4-7/8	2-3/16
B25	2-1/2	2-1/4	1-3/4	2-1/2	6-1/2	2-3/4
B30	3	2-1/4	1-3/4	2-1/2	7	2-3/4



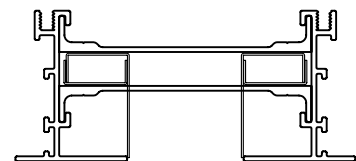
- INLET HEIGHT LENGTH
- 6"∅ 9" 24"
 - 8"∅ 10" 36"
 - 10"∅ 12" 48"
 - 12"∅ 14" 60"
 - 14"∅ 16" 72"

- END CAPS
- FLAT
 - FLANGED
 - MITERED

PATTERN CONTROLLERS



STANDARD WEIRS



JET PAIR WEIRS

PROJECT:

TITLE:
SUBMITTAL SHEET

DATE:

DRAWN:
Sophie Duquay

SCALE:
NTS

DWG. #: 8-1A