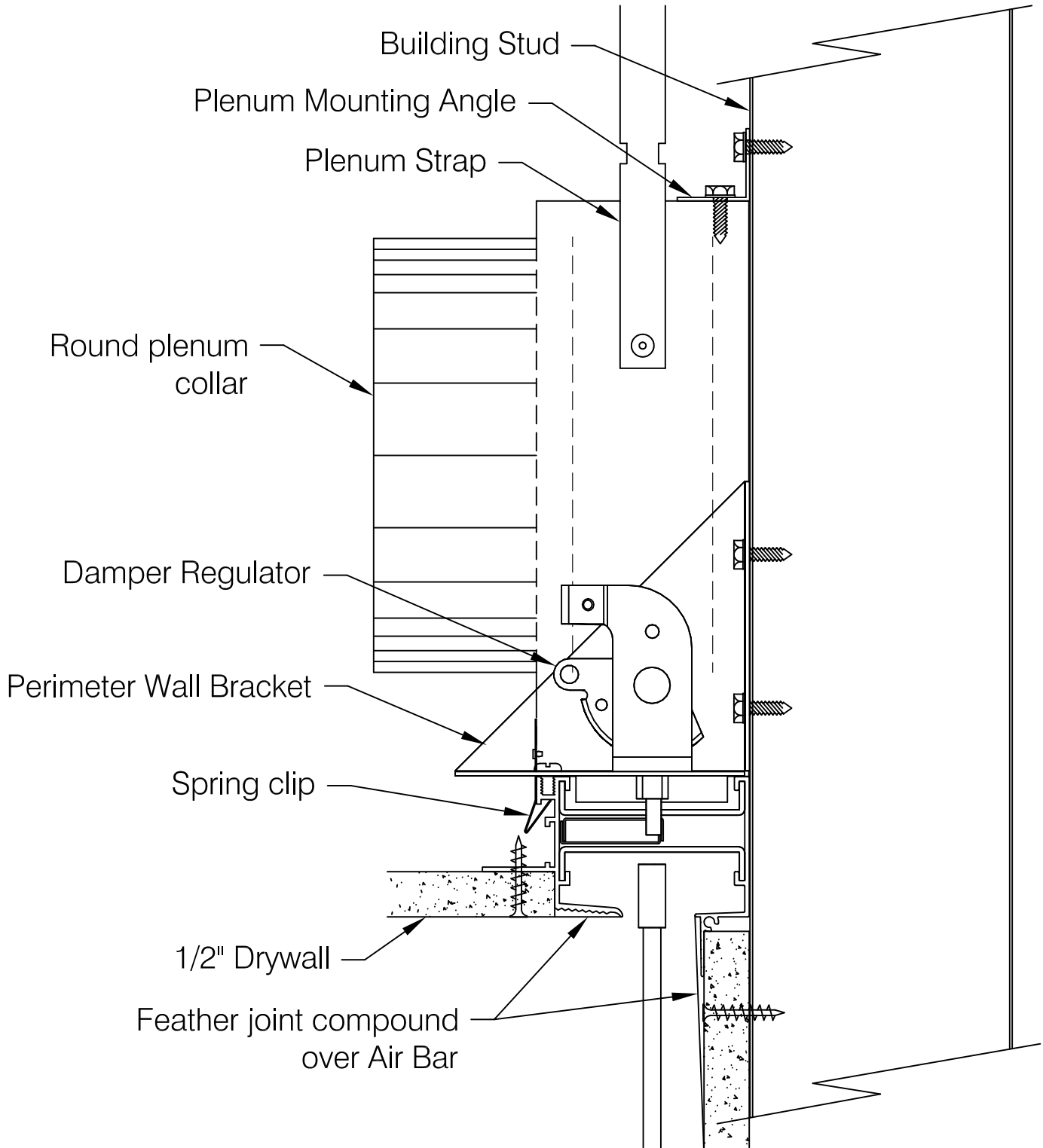




AIR FACTORS

6226-A INDUSTRIAL WAY
LIVERMORE, CA 94551

PH. # 925-579-0040
FAX # 925-579-0044



PROJECT:

TITLE:

Model B-10-HF-DW2 : Assembly

DATE:

DRAWN:

Robert Gibbs

SCALE:

NTS

DWG.#:

9-E-8A