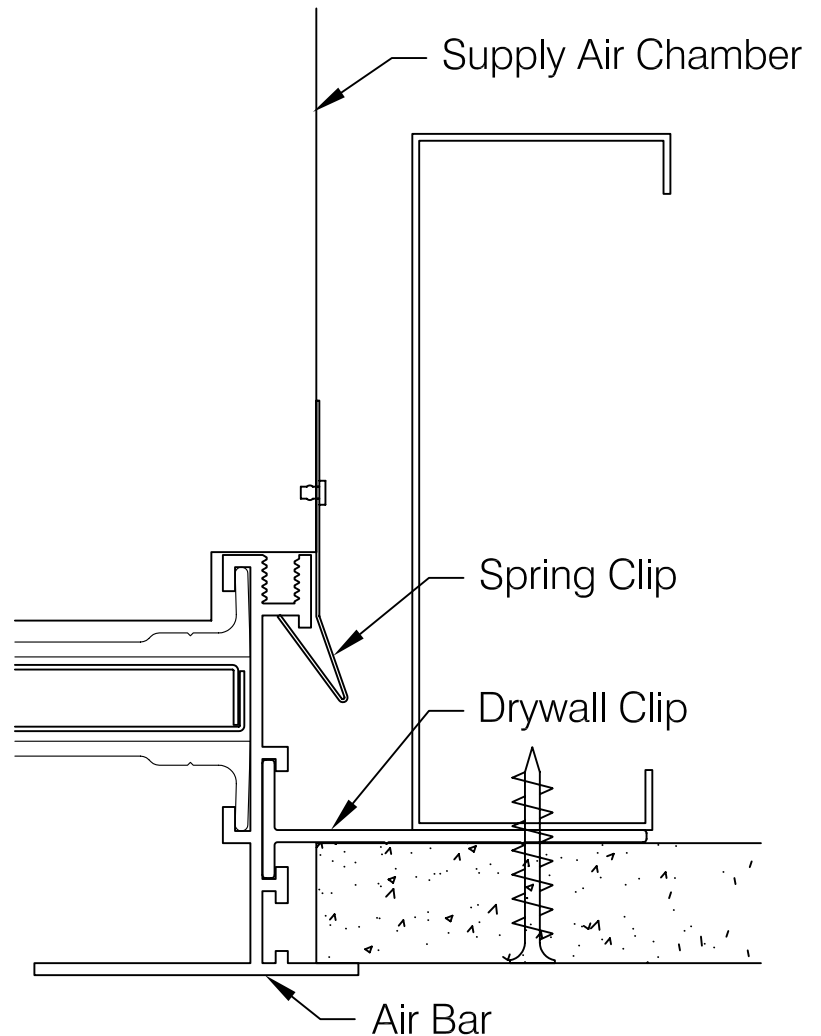


Rotate Spring Clip



SUPPLY AIR CHAMBER ASSEMBLY with Spring Clips

1. Rotate Spring Clip up and out of the way 90°.
2. Position Supply Air Chamber onto Air Bar.
3. Rotate Spring Clip down so that it snaps under Screw Track.
(Use a long screwdriver.)