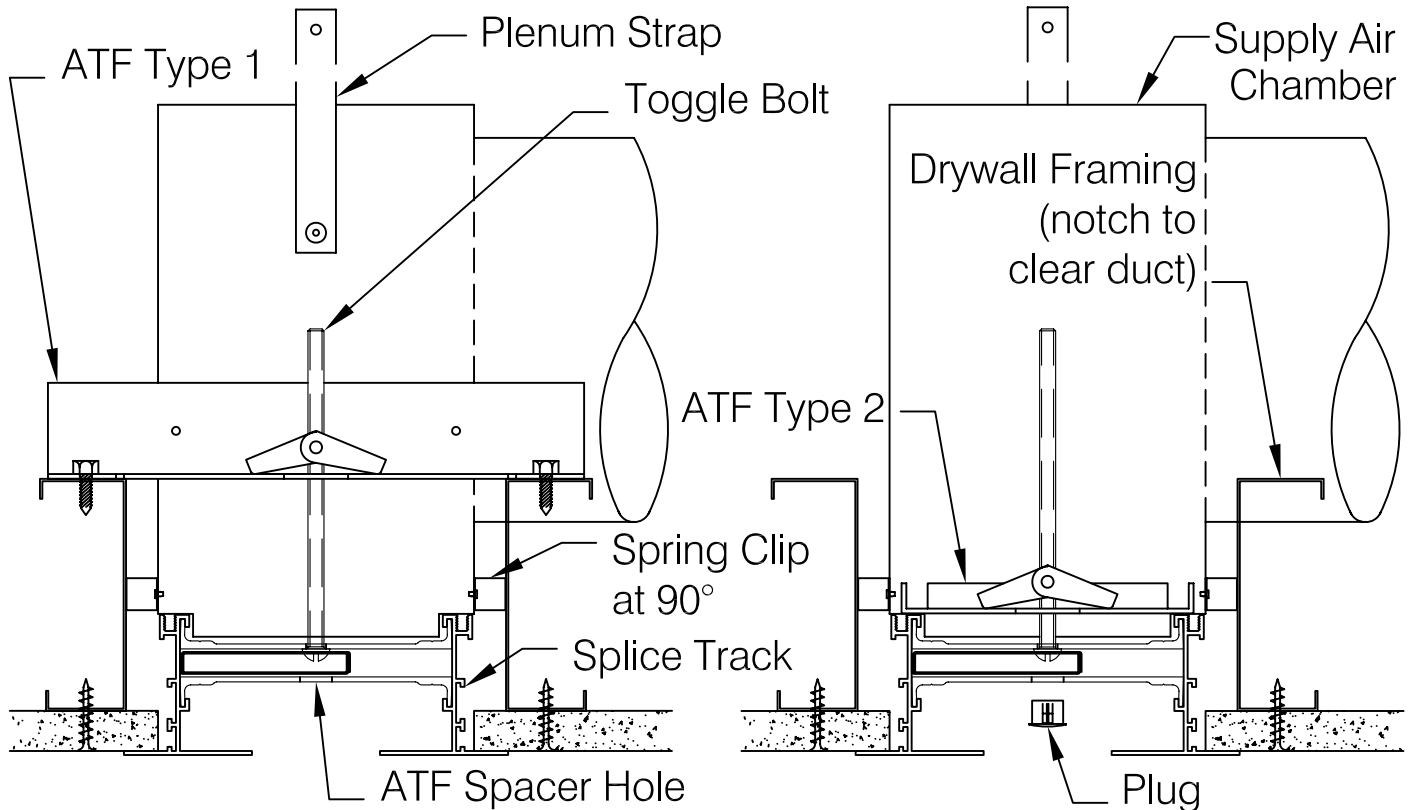




AIR FACTORS

6226-A INDUSTRIAL WAY
LIVERMORE, CA 94551

PH. # 925-579-0040
FAX # 925-579-0044



INSTALLATION FOR WIDE FLANGE AIR BAR (ATF)

1. Install Supply Air Chamber with hanger wires to the Plenum Straps. Drywall frame opening should match your Air Bar. See Frame Opening schedule for dimensions.
2. Find the ATF spacers in Air Bar and at corresponding locations without plenums install ATF Type 1 brackets onto framing. Where ATF spacers line up inside a plenum, install ATF Type 2 brackets.
3. Install drywall. See Drywall Opening schedule for dimensions.
4. Assemble Air Bar with toggle bolts through ATF Spacers.
5. For continuous runs (more than one unit) install splice plates into the splice track on both sides of Air Bar.
6. Install end caps at each end of the Air Bar by sliding the end cap tabs into the splice track.
7. Push the Air Bar with toggle bolts up through the drywall opening and through the 1" diameter holes in the Type 1 & 2 brackets. Draw-up the Air Bar evenly with the toggle bolts. Plug ATF spacer holes.

9-5-2B