

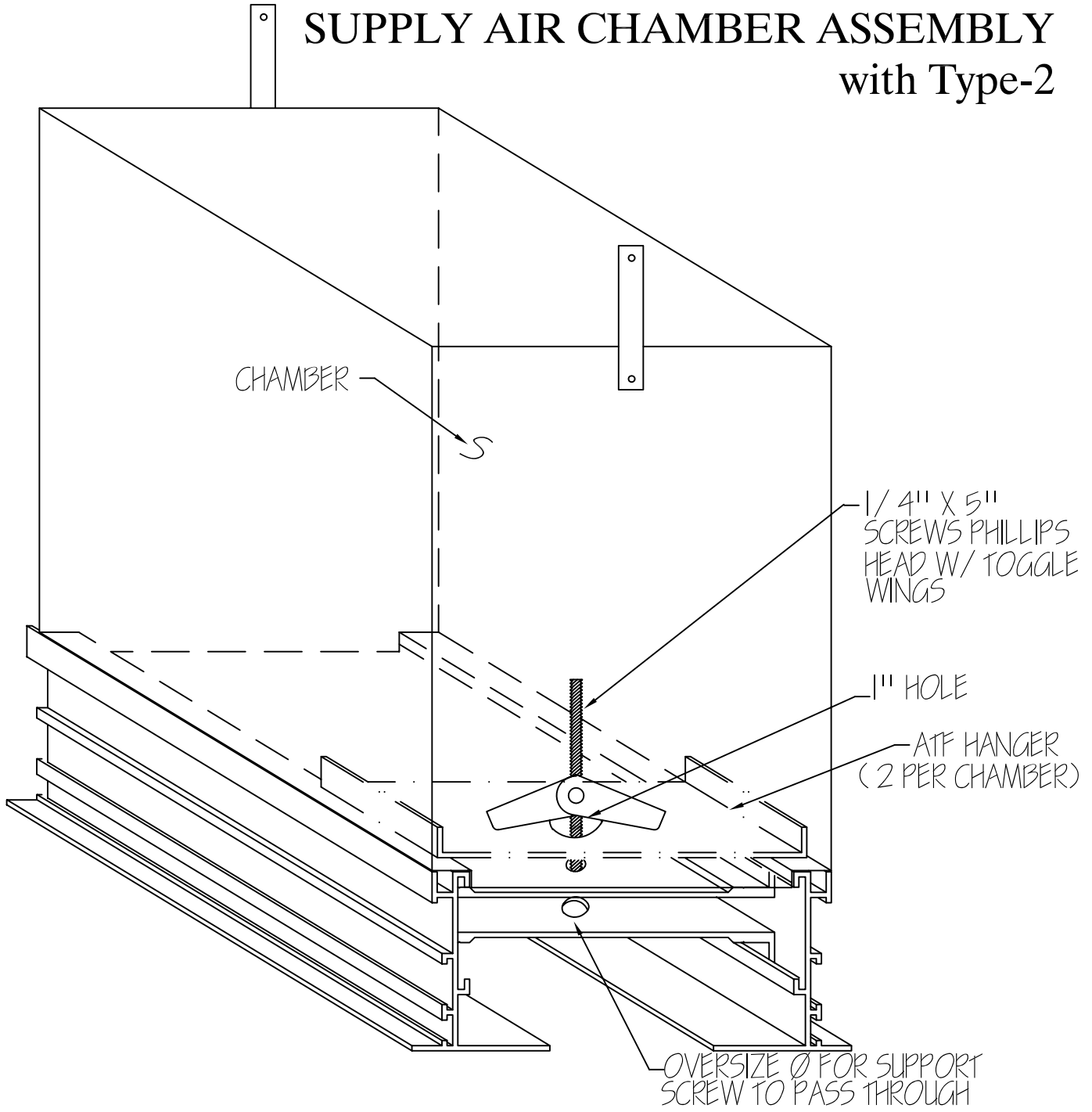


AIR FACTORS

6226-A INDUSTRIAL WAY
LIVERMORE, CA 94551

PH. # 925-579-0040
FAX # 925-579-0044

SUPPLY AIR CHAMBER ASSEMBLY with Type-2



PROJECT:

TITLE: ATF Type-2 Inside Plenum

DATE:

DRAWN BY:
SOPHIE DUGUAY

NTS

DWG.#:
9-5-2C