



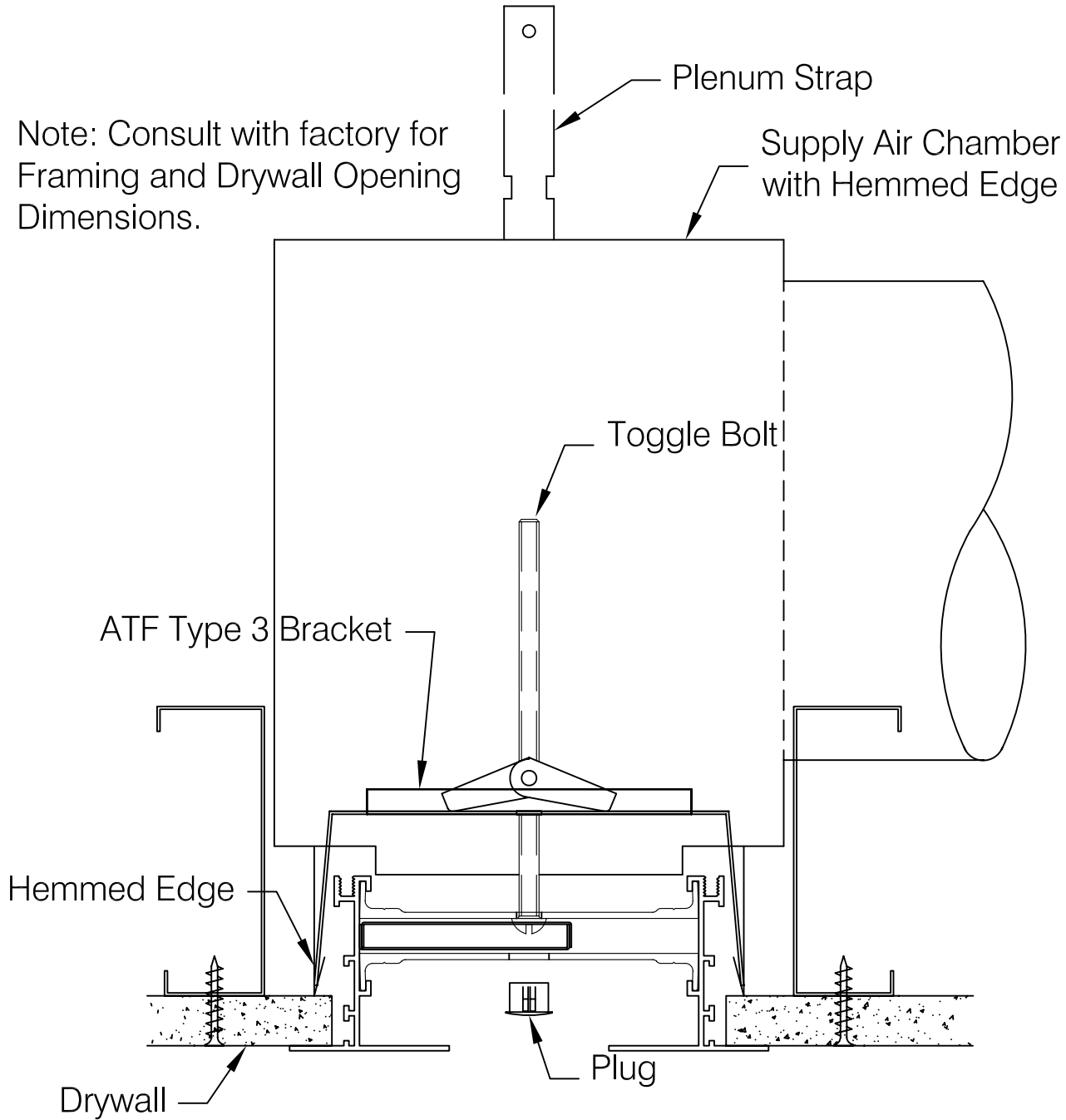
# AIR FACTORS

6226-A INDUSTRIAL WAY  
LIVERMORE, CA 94551

PH. # 925-579-0040  
FAX # 925-579-0044

## SUPPLY AIR CHAMBER ASSEMBLY with Hemmed Edge

Note: Consult with factory for  
Framing and Drywall Opening  
Dimensions.



PROJECT:

TITLE: ATF TYPE-3 HEMMED EDGE

DATE:

DRAWN BY:  
Robert Gibbs

1:2

DWG. #: 9-5-2E