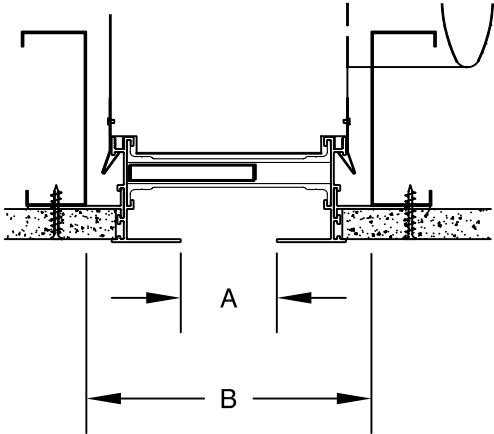




AIR FACTORS

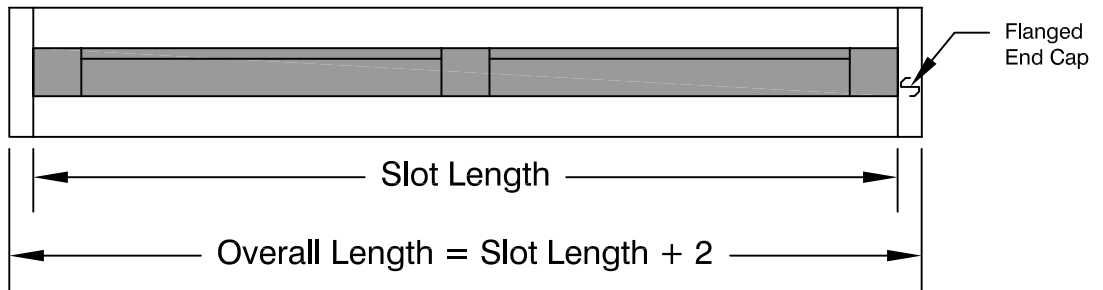
6226-A INDUSTRIAL WAY
LIVERMORE, CA 94551

PH. # 925-579-0040
FAX # 925-579-0044



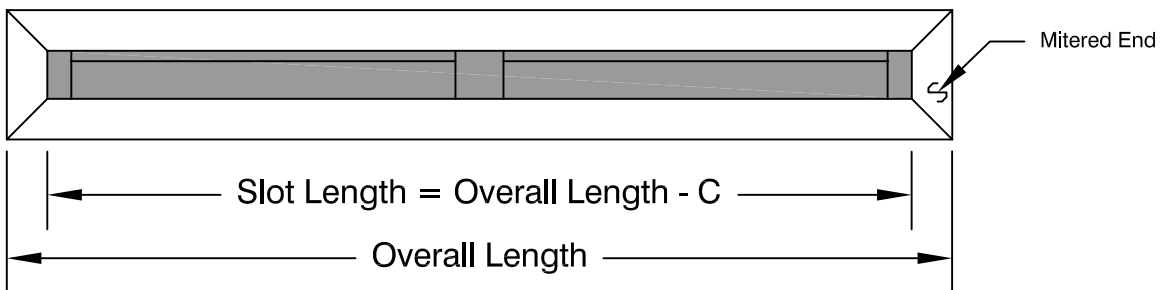
AIR BAR	A Slot Width	B Framing Opening
B-10-FF	1	3-15/16
B-15-FF	1-1/2	4-15/16
B-20-FF	2	5-15/16
B-25-FF	2-1/2	7-9/16
B-30-FF	3	8-1/16

Drywall Opening = Slot Length + $\frac{1}{2}$



DRYWALL OPENING FOR EXPOSED FLANGE AIR BAR WITH FLANGED END CAPS

Drywall Opening = Overall Length - D



AIR BAR	B10FF	B15FF	B20FF	B25FF	B30FF	B40FF
C	2-3/8	2-7/8	3-3/8	4-1/2	4-1/2	5-1/2
D	7/16	7/16	7/16	7/16	7/16	7/16

DRYWALL OPENING FOR EXPOSED FLANGE AIR BAR WITH MITERED ENDS

9-5-4A